

• 1U Vertical Fan Unit With Guide Frame for Mounting in 84HP Subracks.

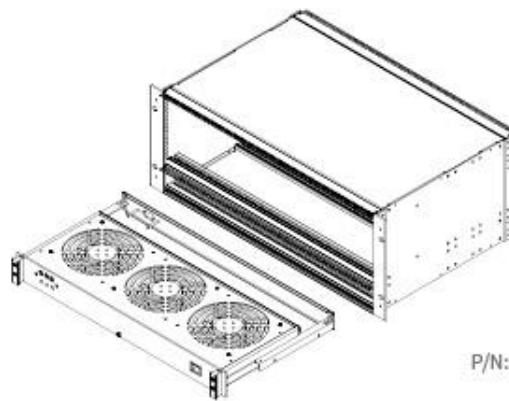
Features

- 1U panel ,3 fans
- Use in 84HP subrack
- Low noise level.
- Fan fail indication via LED
- Input power supply DC 12V
- Aluminum frame and chromate surface
- Dimensions: 1U (H) x 84HP (W) x 156 mm (D)

Specifications

P/N	Height	Width	Depth	Fan numbers
FU-1843GF	1U	84HP	156mm	3

Mechanical Design



P/N: FU-1843GF