

Rugged VPX Backplane



1. Features

- 1.1 Compliant to VITA 46.0 Baseline.
- 1.2 Compliant to VITA 62.
- 1.3 OPEN VPX 65.0 Standard.
- 1.4 Rugged 3U Euro card form factor.
- 1.5 ESD Ground protection.
- 1.6 High-speed Multi-gig connector.

2. Specifications

- 2.1 16 years.
- 2.2 1 oz. copper power and ground.
- 2.3 3.2 mm thick PCB, FR4 or equivalent.

3. Profiles

- 3.1 BKP3-CEN03-15.2.9-n.
- 3.2 Slot 1 Compliant SLT3-PAY-2F-14.2.7.
- 3.3 Slot 2, 3 Compliant SLT3-PER-1F-14.3.2.

4. Power Requirement

- 4.1 DC +12V
- 4.2 DC +5V
- 4.3 DC + 3.3V

5. Temperature

5.1 Operating Temperatures: 0° to +60 °C

5.2 Storage Temperatures : -40° to +85 °C

6. Mechanical Dimension

6.1 Dimensions (WxH) : 130 x 140 mm

6.2 Customization is available.

7. Information

Section	Slot Types		Communication Plane Topologies	
BKP3-CEN03-15.2.9-n	Payload	1	Control	N/A
	Peripheral	2	Data	1 x FP — Star
			Expansion	N/A

Profile name	Mechanical		Slot Profiles and Section		Channel Gbaud Rate
	Pitch (in)	RTM Conn	VPX 1	VPX 2 and VPX 3	Data Plane
			Payload	Payload or Peripheral	
BKP3-CEN03-15.2.9-1	1.0	VITA 46.10	SLT3-PAY-2F-14.2.7	SLT3-PER-1F-14.3.2	2.5

8. Backplane Topology

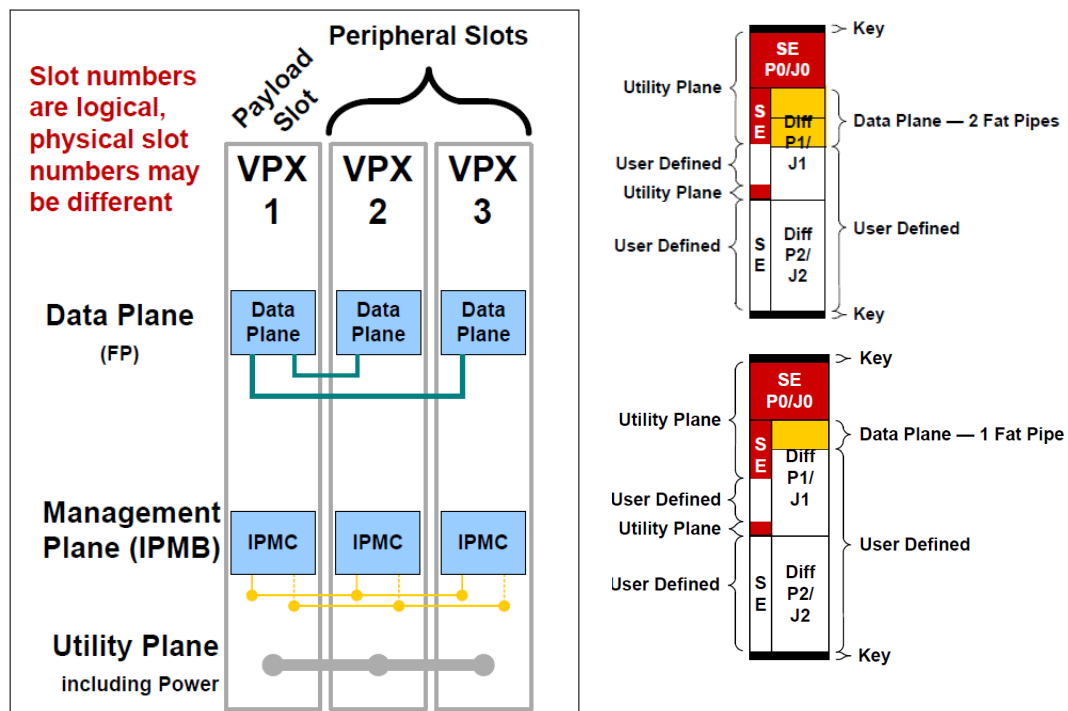


Figure 15.2.9-1 Topology of BKP3-CEN03-15.2.9-n