

## • 1U Fan Unit With Subrack Assembly

### Features

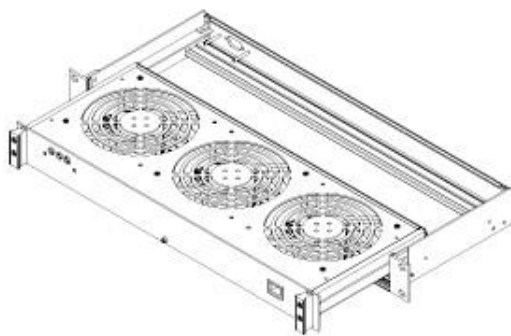
- Use when stacking multiple rack mount chassis for adding cooling
- Use in 19" rack
- Low noise level
- Fan fail indication via LED
- Input power supply DC 12V
- Aluminum frame and chromate surface



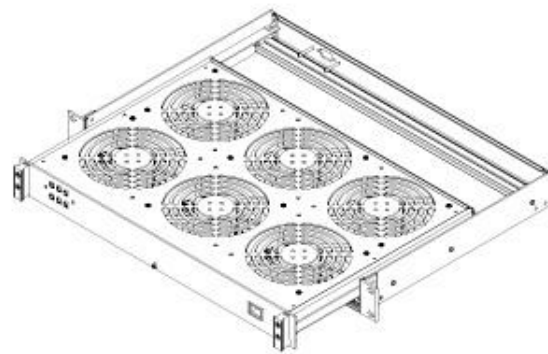
### Specifications

P/N	Height	Width	Depth	Fan numbers
FU-1843SU	1U	84HP	156mm	3
FU-1846SU	1U	84HP	280mm	6

### Mechanical Design



P/N: FU-1843SU



P/N: FU-1846SU